

APPLICATION:

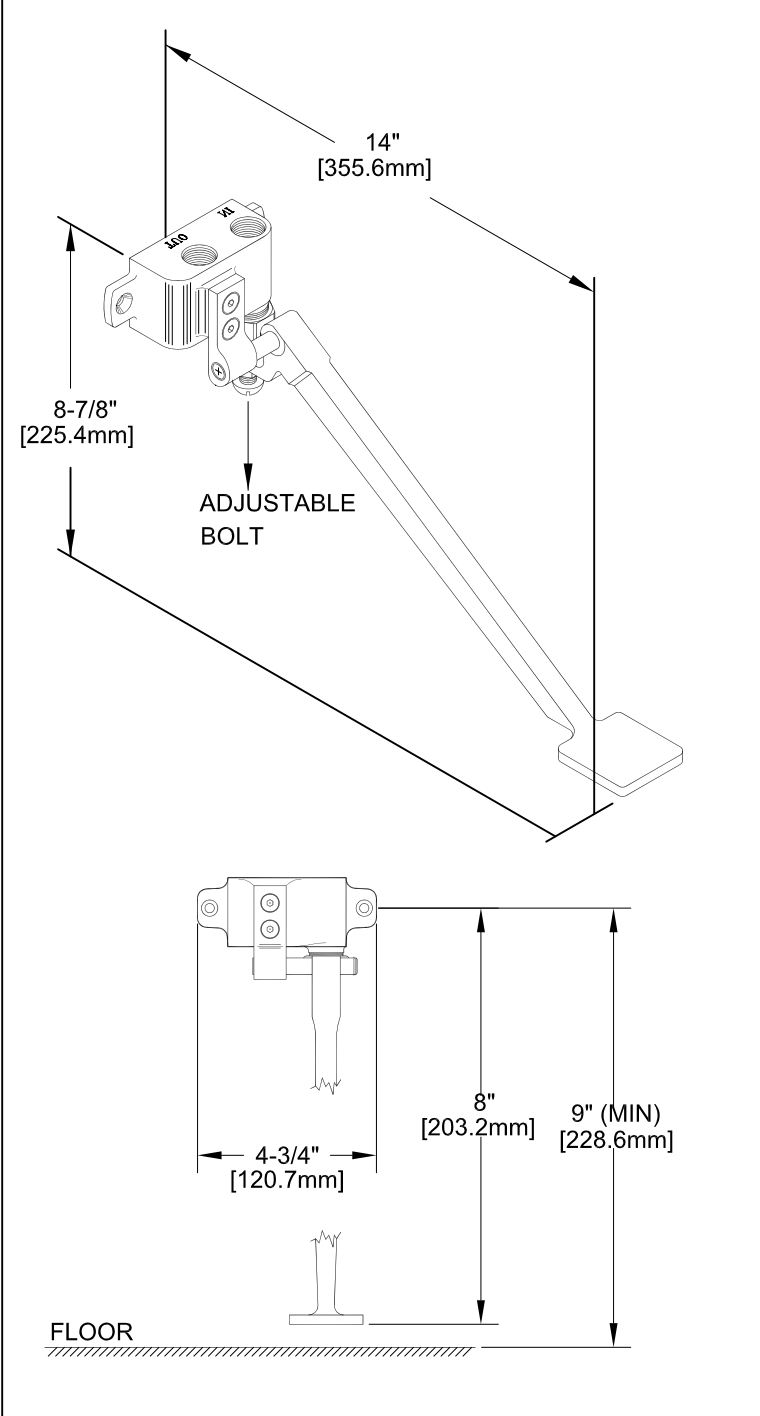
JOB NAME:

QUANTITY:                      ITEM NO.

PRODUCT NAME:  
SINGLE PEDAL CONTROL VALVE WALL MOUNT

\_\_\_\_\_ SPECIAL CONFIGURATION  
CHECK BASE MODEL AND OPTIONS

MODEL:  
 3076



OPTIONS OR MODIFICATIONS:

SUPPLY LINES (24" OR 36") CIRCLE LENGTH

NIPPLES

ELBOWS

HANDLES (CROSS OR WRIST) CIRCLE STYLE

VANDAL RESISTANT KIT

OTHER \_\_\_\_\_

FEATURES

- \* PEDAL ANODIZED ALUMINUM
- \* CYLINDER CLOSING WITH WATER FLOW
- \* POLISHED CHROME

RECOMMENDED SETTINGS

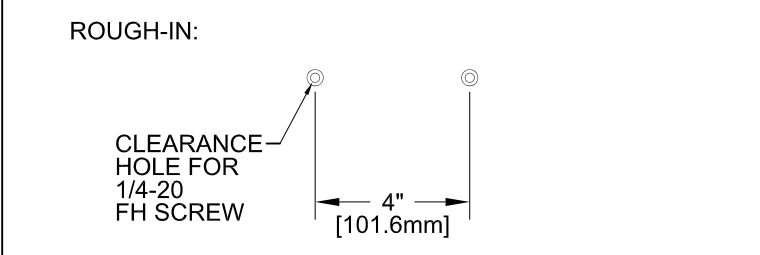
- \* 110°F AT 80 PSI

SYSTEM LIMITS

- \* TEMP: 40°F MIN. TO 140°F MAX.
- \* PRESSURE 200 PSI MAX. STATIC

SHIPPING WEIGHT

- \* 3.25 LBS



ANSI/A112.18.1M

**FISHER**

FISHER MANUFACTURING COMPANY  
TOLL FREE: 800-421-6162 - FAX: 800-832-8238  
information@fisher-mfg.com - www.fisher-mfg.com